

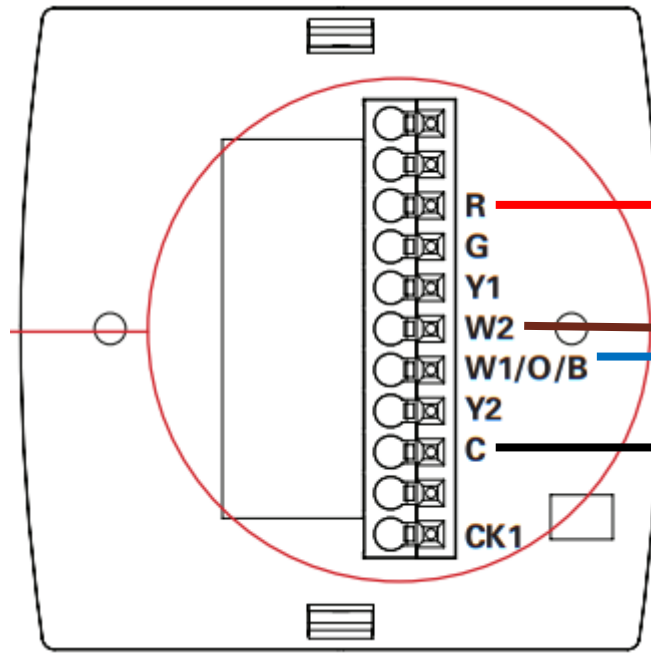


CONVENTIONAL WIRING FOR INFINITY/EVOLUTION EQUIPMENT

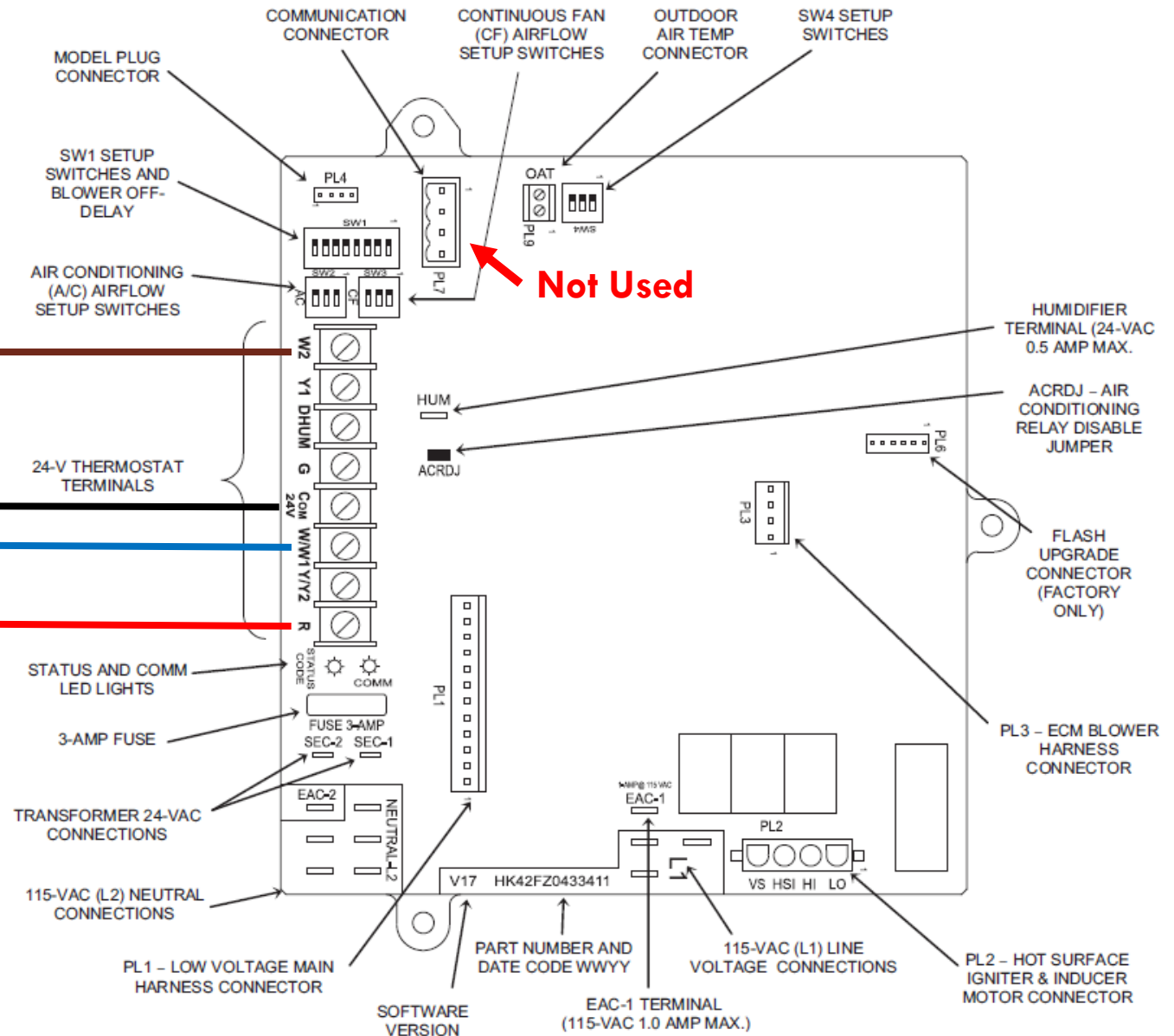
Lohmiller & Co

2 Stage Furnace – Using 4 wires Heat Only

Thermostat



Furnace



Blower will operate normally with Heat 1 or 2 Call

2 Stage Furnace – Dip Switches Heat Only

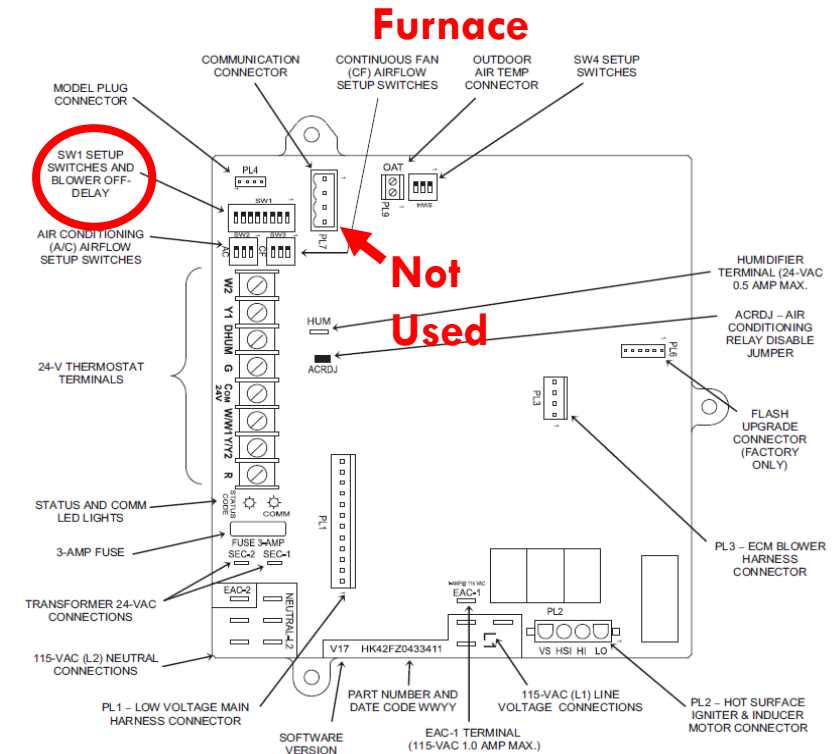
SW1		
Switch	Description	Factory
1	Status Code Recovery - Turn ON to retrieve status codes.	See manual for use.
2	Low Heat Only - SW1 - 2 OFF allows two-stage operation SW1 - 2 ON for two-stage operation using two-stage TSTAT.	using single stage TSTAT (Adaptive Heat Mode).
3	Not Used	OFF
4	Comfort/Efficiency Adjust - Turn ON to decrease low- & high-heat airflow 15% for 90%+ models or 10% for 80%	heat airflow 20% for 90%+ models or 16% for 80% models
5	CFM per Ton Adjust - See Airflow Tables in manual for	desired settings. Also see SW4 - 3.
6	Component Self Test - Turn ON to initiate Component disconnected. Turn OFF when Self Test is completed.	Self Test for troubleshooting assistance when R TSTAT lead is
7 & 8	Blower Off Delay - See manual or unit wiring diagram for Factory default is 120 Seconds.	settings. Adjustable 90 - 180 seconds. 7 - ON 8 - OFF

-ON

-Desired

-OFF

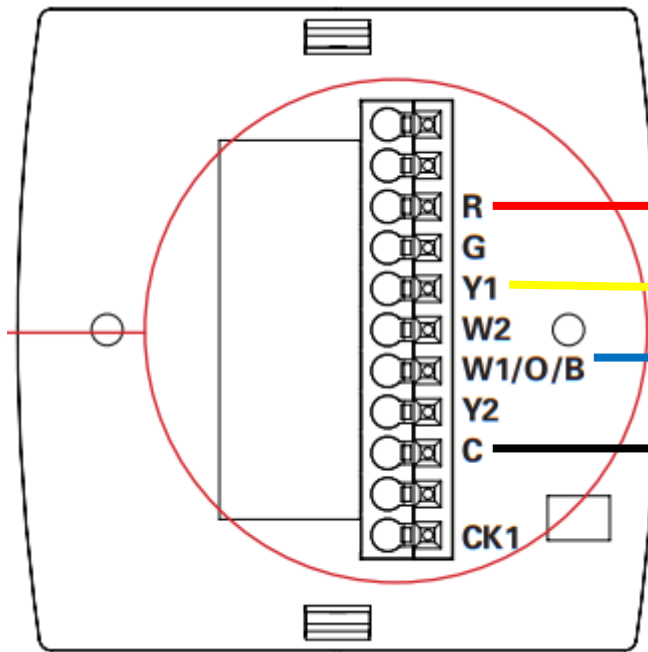
-Desired



Desired indicates User or Technician preference

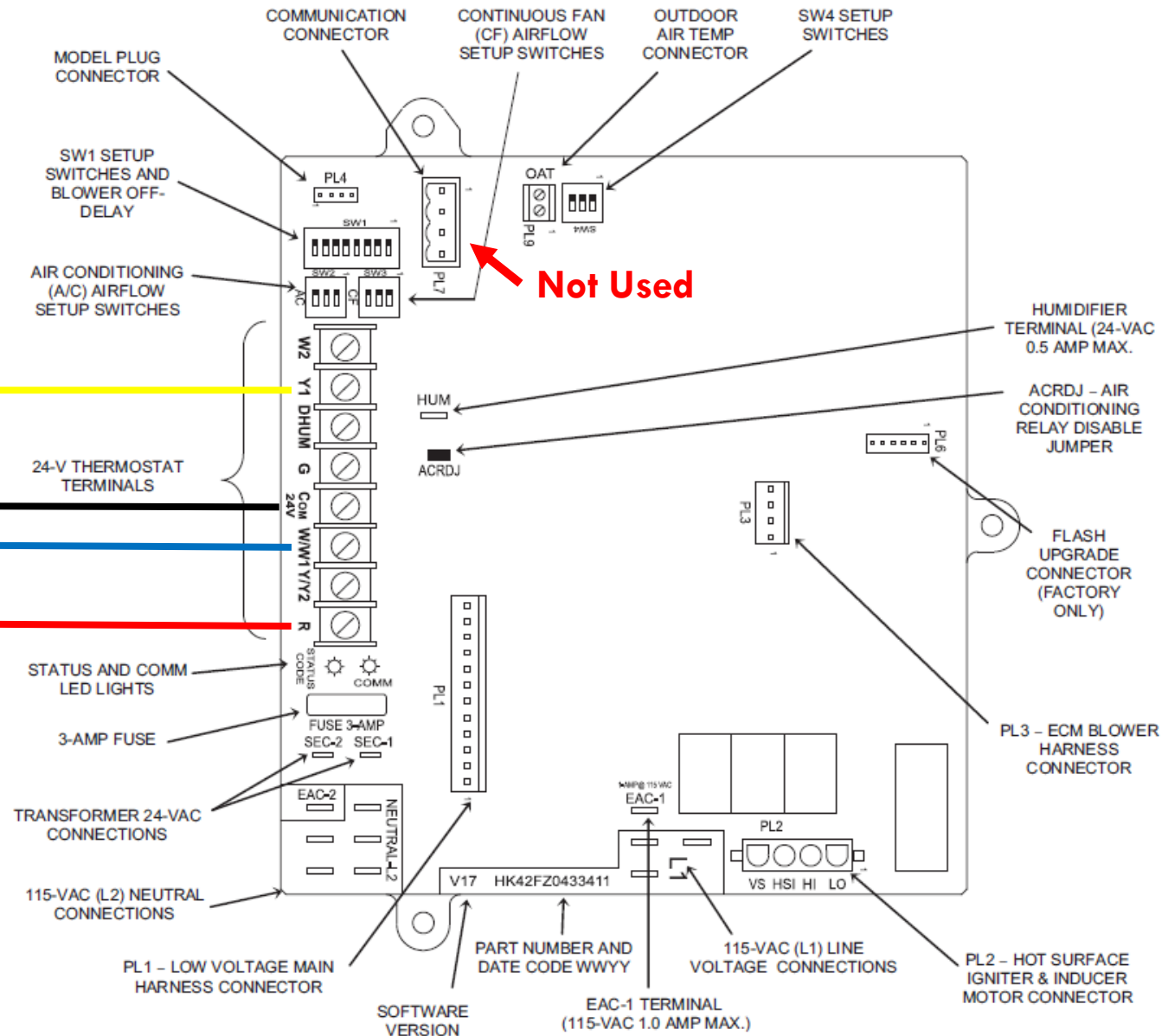
2 Stage Furnace – Using 4 wires Heat and Cool

Thermostat



**Blower will operate normally with Heat or Cool Call
– No G wire necessary**

Furnace



2 Stage Furnace – Dip Switches

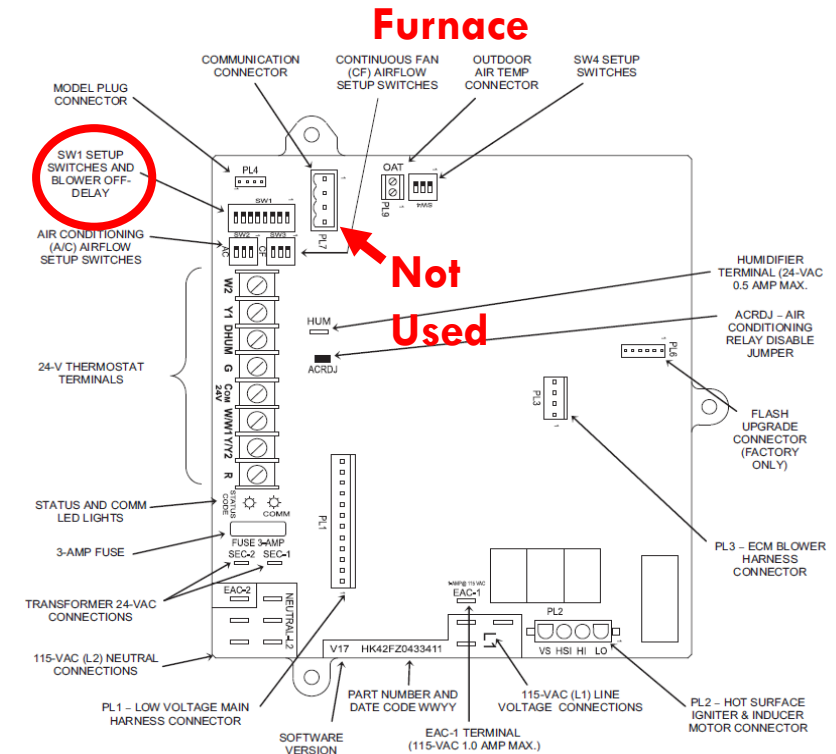
Heat and Cool

SW1		
Switch	Description	Factory
1	Status Code Recovery - Turn ON to retrieve status codes.	See manual for use.
2	Low Heat Only - SW1 - 2 OFF allows two-stage operation using single stage TSTAT (Adaptive Heat Mode). SW1 - 2 ON for two-stage operation using two-stage TSTAT.	OFF
3	Not Used	OFF
4	Comfort/Efficiency Adjust - Turn ON to decrease low- & high-heat airflow 15% for 90%+ models or 10% for 80% models	ON
5	CFM per Ton Adjust - See Airflow Tables in manual for desired settings. Also see SW4 - 3.	OFF
6	Component Self Test - Turn ON to initiate Component disconnected. Turn OFF when Self Test is completed.	OFF
7 & 8	Blower Off Delay - See manual or unit wiring diagram for Factory default is 120 Seconds.	7 - ON 8 - OFF

-OFF

**-Desired
-OFF**

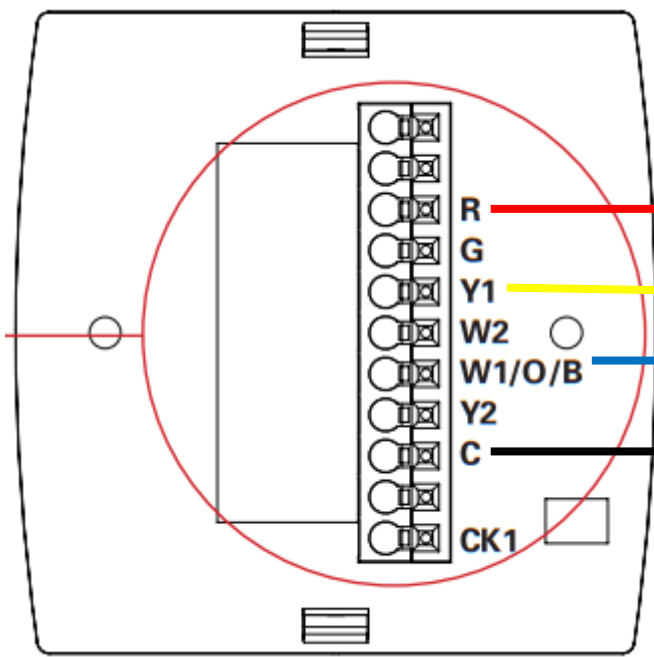
-Desired



Desired indicates User or Technician preference

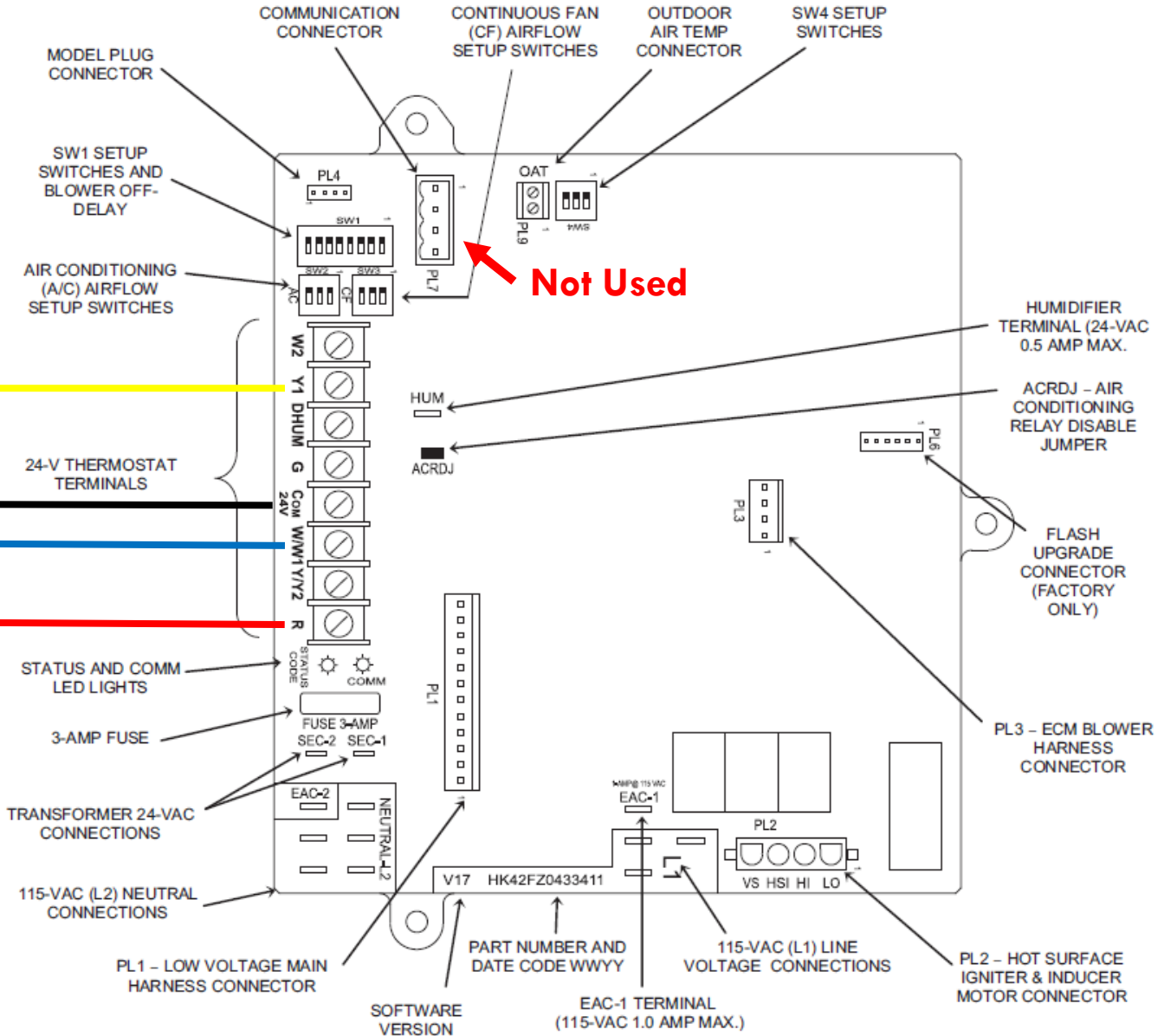
Modulating Furnace – Using 4 wires Heat and Cool

Thermostat



**Blower will operate normally with Heat or Cool Call
– No G wire necessary**

Furnace



Modulating Furnace – Dip Switches

Heat and Cool

SW1			
Switch	Description		Factory
1	Status Code Recovery - Turn ON to retrieve status codes.	See manual for use.	OFF
2	Min Heat Only - SW1 - 2 and SW4 - 2 OFF for Modulating SW1 - 2 ON and SW4 - 2 OFF for two-stage only operation	operation using single stage TSTAT. with two-stage TSTAT using minimum heat for low-stage.	OFF
3	Min/Int Heat Rise Adjust - Turn ON to increase Minimum- or Intermediate-Heat blower and inducer speed by 15%.		OFF
4	Comfort/Efficiency Adjust - Turn ON to decrease heat comfort.	airflow by 9% (Min), 7% (int), and 15% (Max) for maximum comfort.	ON
5	CFM per Ton Adjust - See Airflow Tables for desired	settings. Also see SW4 - 3,	OFF
6	Component Self Test - Turn ON to initiate Component disconnected. Turn OFF when Self Test is completed.	Self Test for troubleshooting assistance when R TSTAT lead is	OFF
7 & 8	Blower Off Delay - See manual or unit wiring diagram for	settings. Adjustable 90 - 180 seconds. Factory default is 120 Seconds.	7 - ON 8 - OFF
SW4			
Switch	Description		Factory
1	Future Use - Switch should remain in OFF position.		OFF
2	Intermediate Heat Only - SW1 - 2 and SW4 - 2 OFF for SW1 - 2 OFF and SW4 - 2 ON for two-stage only operation with	Modulating operation using single stage TSTAT. two-stage TSTAT using Intermediate Heat for low-stage.	OFF
3	CFM per Ton Adjust - See Airflow Tables for desired	settings. Also SW1 - 5.	OFF

-OFF

-Desired

-Desired

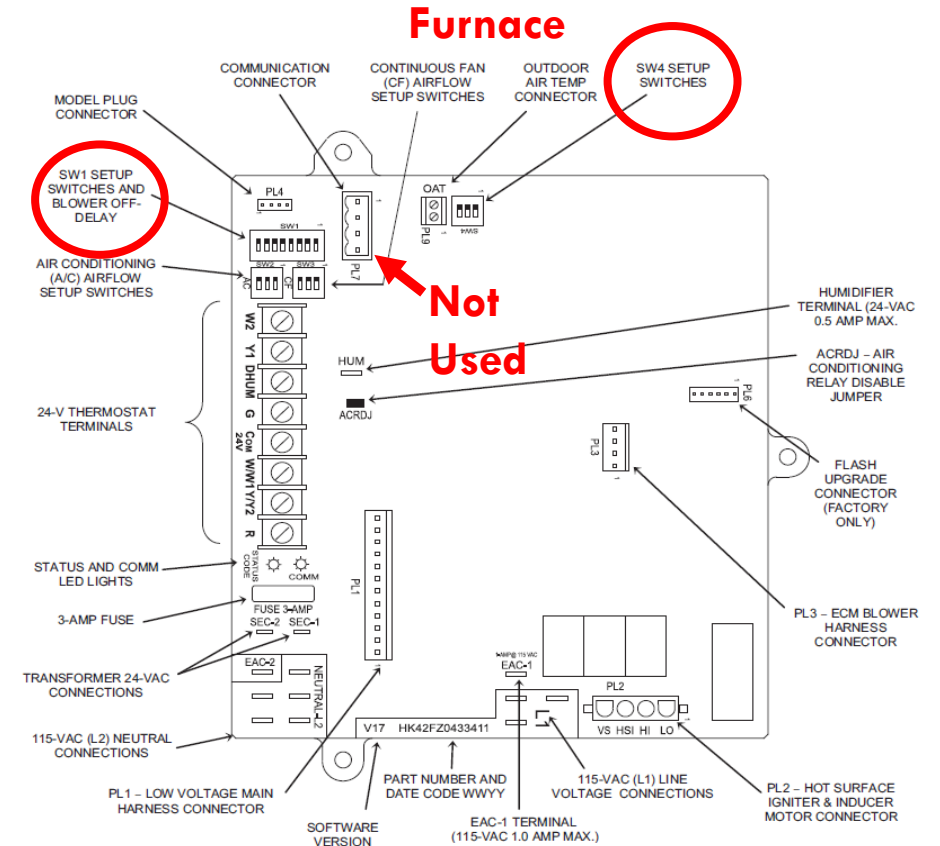
-OFF

-Desired

-OFF

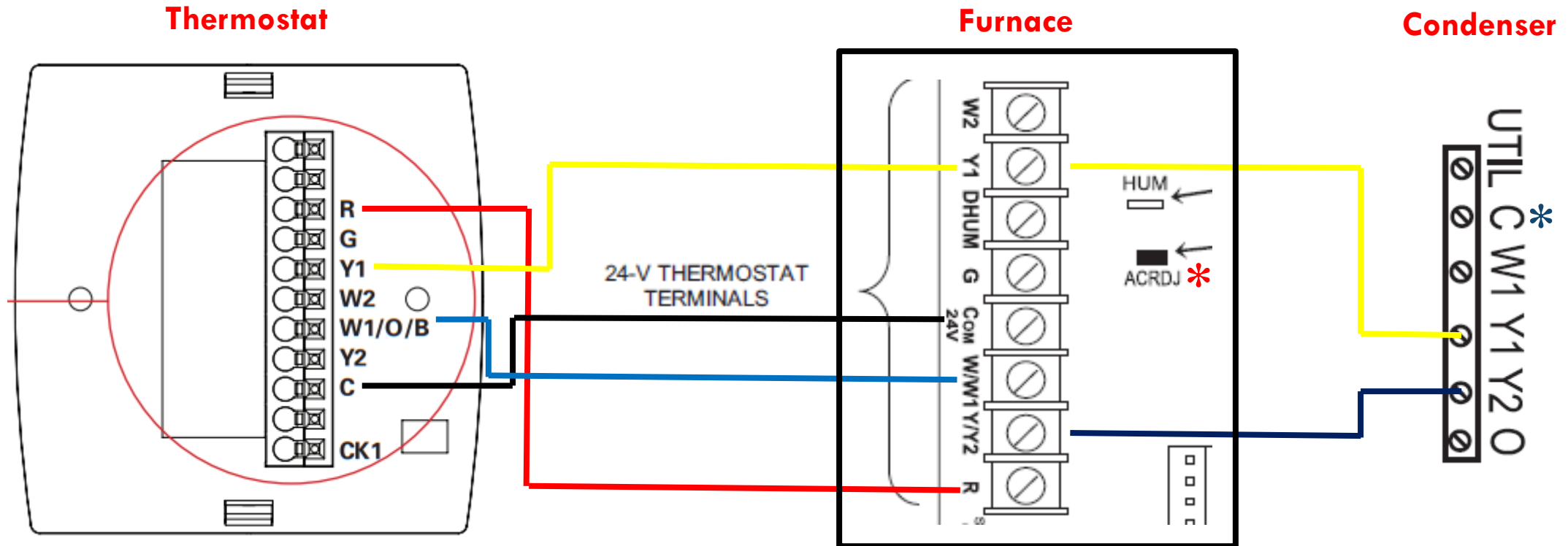
-OFF

-OFF



Desired indicates User or Technician preference

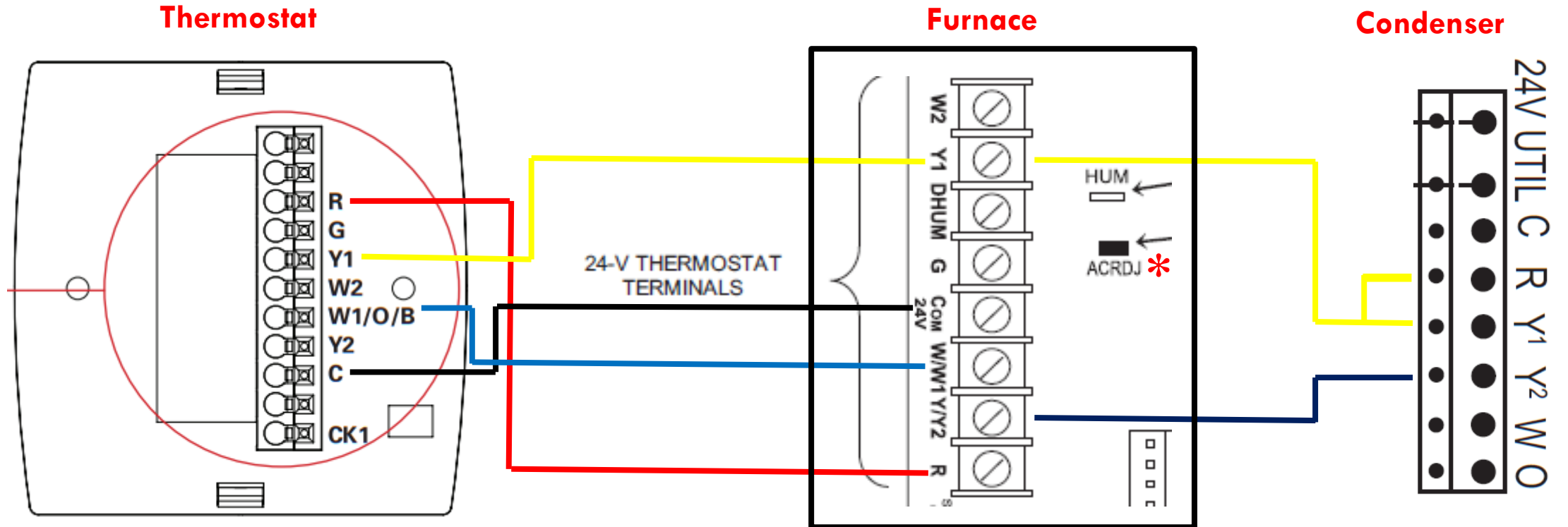
2 Stage Condenser – 4 wire Indoor 2 Wire Outdoor Cool Only



* Leave ACRDJ jumper in place for 1 or 2 Stage operation determined by Furnace control board

* C wire optional

5 Stage Condenser – 4 wire Indoor 2 Wire Outdoor Cool Only

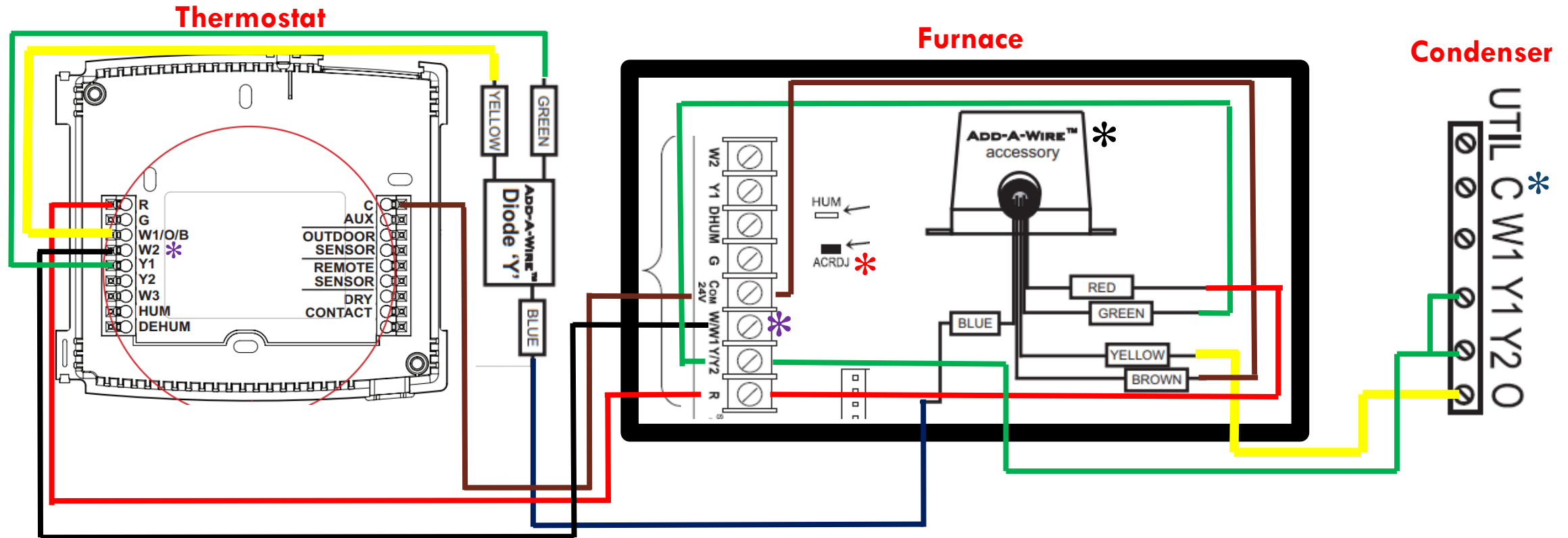


* Leave ACRDJ jumper in place for 1 or 2 Stage operation determined by Furnace control board

* C wire optional

* 5 Stage Condenser, Jumper Y1 to R

2 Stage Condenser – 4 Wire Indoor 2 Wire Outdoor Heat Pump w/Add-A-Wire



- * Leave ACRDJ jumper in place for 1 or 2 Stage operation determined by Furnace control board
- * C wire optional
- * Confirm your thermostat is Dual Fuel compatible
- * Add-A-Wire Accessory is located in the Furnace, DIODE is located at the Thermostat
- * If used with a 5 Stage Condenser, Jumper Y1 to R
- * Y/Y2 terminal used to Energize High Cool Blower Speed