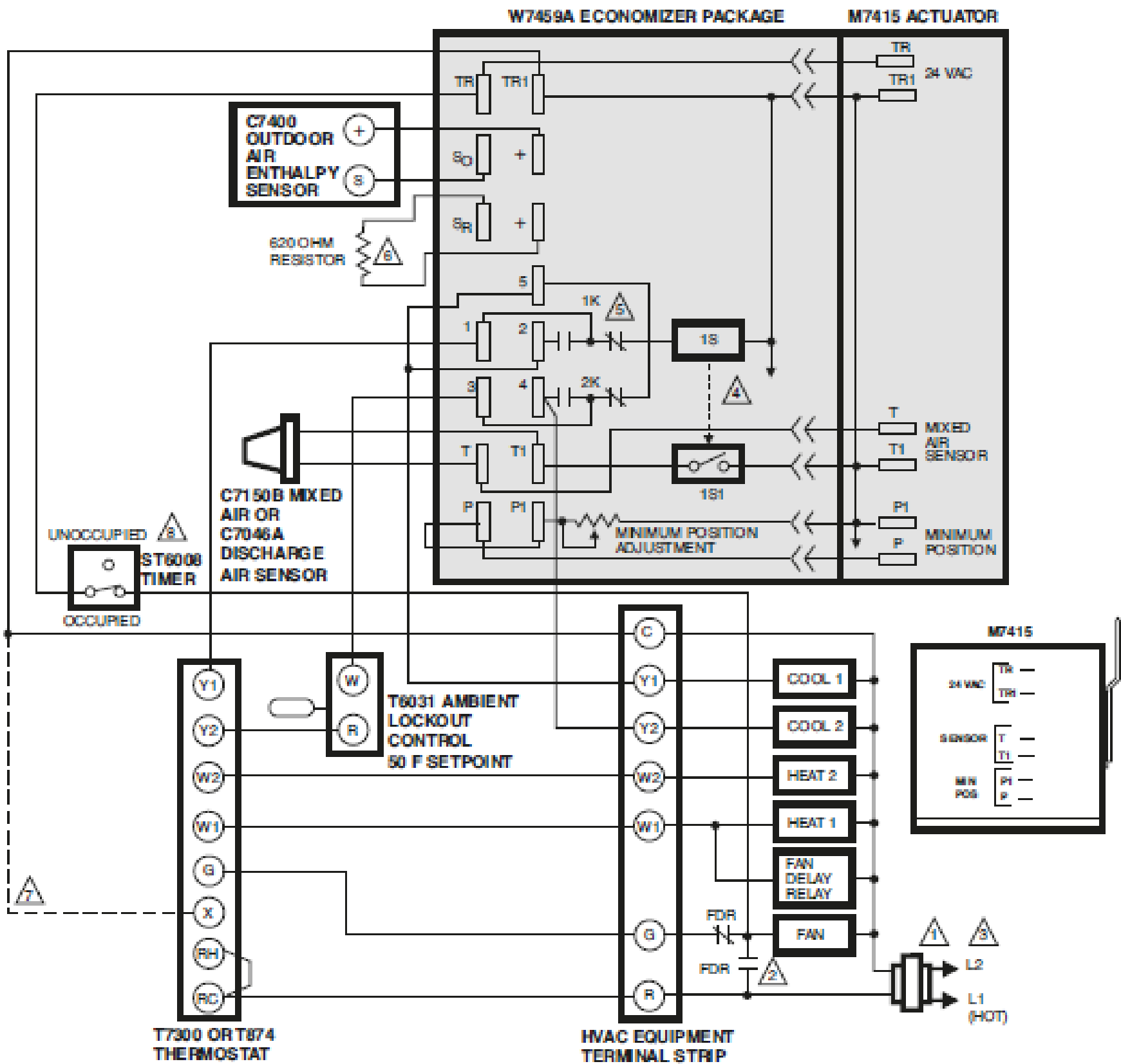


Not Suitable - Economizer OAT - 75 Degrees



- 1 POWER SUPPLY. PROVIDE DISCONNECT MEANS AND OVERLOAD PROTECTION AS REQUIRED.
- 2 MOTOR SPRING-RETURNS CLOSED WHEN FAN IS NOT RUNNING.
- 3 ENSURE THAT EQUIPMENT TRANSFORMER IS SIZED TO HANDLE THE EXTRA LOAD OF THE ECONOMIZER AND ACTUATOR.
- 4 1S IS AN ELECTRONIC SWITCH THAT CLOSSES WHEN POWERED BY A 24 VAC INPUT.
- 5 RELAYS 1K AND 2K ACTUATE WHEN THE ENTHALPY SENSED BY THE C7400 IS HIGHER THAN THE ENTHALPY SETPOINT A-D.
- 6 FACTORY INSTALLED 620 OHM, 1 WATT, 5% RESISTOR SHOULD BE REMOVED ONLY IF A C7400 ENTHALPY SENSOR IS ADDED TO S_R AND + FOR DIFFERENTIAL ENTHALPY.
- 7 FOR T7300 ONLY.
- 8 WITH T7300, USE CONTACTS A₁ AND A₂ INSTEAD OF S7005 TIMER.

MI 0115C

W7459A/C7400 used in two-stage cooling system with single enthalpy changeover and with M7415 Actuator