

53DS-900---070
53DS-900---071
53DS-900---087
53DS-900---088

Horizontal Discharge Systems
Cooling Only and Heat Pump Units (Size 018-060)
Accessory Wind Baffle Kit


Installation Instructions

NOTE: Read and become familiar with these instructions before beginning installation.

SAFETY CONSIDERATIONS

Installing and servicing air-conditioning equipment can be hazardous due to system pressures and electrical components. Only trained and qualified personnel should install or service air-conditioning equipment. When working on air-conditioning equipment, observe the precautions provided in literature, tags, and labels attached to the unit.

Follow all safety codes. Wear safety glasses, protective clothing, and work gloves. Use quenching cloth for brazing operations. Have fire extinguisher available. Read these instructions thoroughly and follow all warnings or cautions included in literature and attached to the unit. Consult local building codes and National Electrical Code (NEC), ANSI/NFPA 70, Canadian Electrical Code CSA C22.1 and local codes and ordinances for special requirements.

Recognize safety information. This is the safety-alert symbol . When you see this symbol on the unit and in instructions or manuals, be alert to the potential for personal injury.

Understand these signal words: DANGER, WARNING, and CAUTION. These words are used with the safety-alert symbol. DANGER identifies the most serious hazards which **will** result in severe personal injury or death. WARNING signifies hazards which **could** result in personal injury or death. CAUTION is used to identify unsafe practices which **may** result in minor personal injury or product and property damage. NOTE is used to highlight suggestions which **will** result in enhanced installation, reliability, or operation.

WARNING

ELECTRICAL SHOCK HAZARD

Failure to follow this warning could result in personal injury or death.

Before beginning any modification or installation of this kit, be sure the main electrical disconnect is in the OFF position. Ensure power is disconnected to the fan coil unit. On some systems both the fan coil and the outdoor unit may be on the same disconnect. Tag the disconnect switch with a suitable warning label. There may be more than one disconnect.

GENERAL

These instructions cover the installation of the accessory wind baffle kit on cooling only, heat pump, and multi-split units. The kit is used with horizontal discharge outdoor units to provide improved unit operation in areas with high winds.

INSTALLATION

Refer to Table 1 for kit contents and usage.

CAUTION

UNIT DAMAGE HAZARD

Failure to follow this caution may result in unit damage. To avoid compressor damage, never turn unit on its side or top when installing kit components.

STEP 1 —Install Z Brackets

1. Remove existing screw from outdoor unit top cover. See Fig. 1.
2. Position top Z bracket between grille and top cover. Be sure shorter top bend of Z bracket slips between top cover flange and metal strip behind top cover flange. See Fig. 1.
3. Reinstall screw removed in Step 1, inserting it through screw hole in top cover and Z bracket. Fasten screw into grille.
4. Install bottom Z bracket in basepan corner, following same procedures. Be sure shorter top bend of Z bracket slips between basepan flange and metal strip behind basepan flange. See Fig. 1.

STEP 2 —Join End and Front Baffles

1. Using the screws provided in kit, join the 2 baffles at their center holes. See Fig. 2. Tighten screws securely.

STEP 3 —Attach End Baffle Flange

1. Remove 3 screws from coil cap. See Fig. 1.
2. Install end baffle flange to Z bracket and use 3 screws removed in Step 1 to secure one end. See Fig. 1 and 2. End baffle flange fits against coil cap. Tighten screws snugly. Do not overtighten.

STEP 4 —Attach Front Baffle Flange

1. Remove 2 screws from access panel. See Fig. 1.
2. Install front baffle flange using 2 screws removed in Step 1. Front baffle flange overlaps end baffle flange where Z brackets are installed. With baffle in place, tighten all screws snugly. Do not overtighten.

Table 1—Kit Contents and Usage

Wind Baffle Kit Part No.	Usage		Kit Contents*
53DS-900-070	25HHA418 38HDF018 38HDR018 38QRF018 38QRR018	224A_S018 538ENF018 538ANF018 538QNF018 538BNR018	1 – End Baffle 1 – Front Baffle 2 – Z Brackets 9 – No. 10-1/2 in. Screws
53DS-900-087	24AHA418, 024 25HHA424 38HDF024, 030 38HDR024 38QRF024 38QRR024	124A_S018, 024 224A_S024 538ENF024, 030 538ANF024 538QNF024 538BNR024	
53DS-900-071	24AHA430, 036, 048 25HHA430, 036 38HDF036 38HDR030, 036 38QRF030, 035, 036 38QRR030, 036	124A_S030, 036, 048 224A_S030, 036 538ENF036 538ANF030, 036 538QNF030, 035, 036 538BNR030, 036	
53DS-900-088	24AHA460 25HHA448, 060 38HDR048, 060 38QRR048, 060	124A_S060 224A_S048, 060 538ANF048, 060 538BNR048, 060	

* Kit contents are the same for both kits however, sizes of items may differ depending on application.

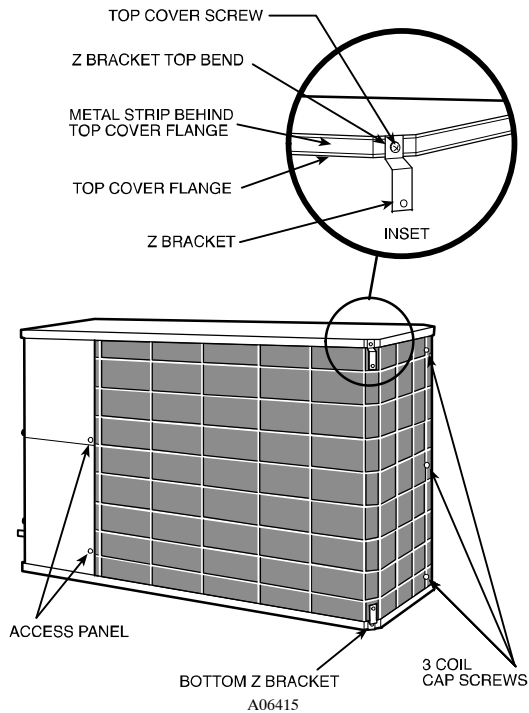


Fig. 1 – Installing Z Brackets

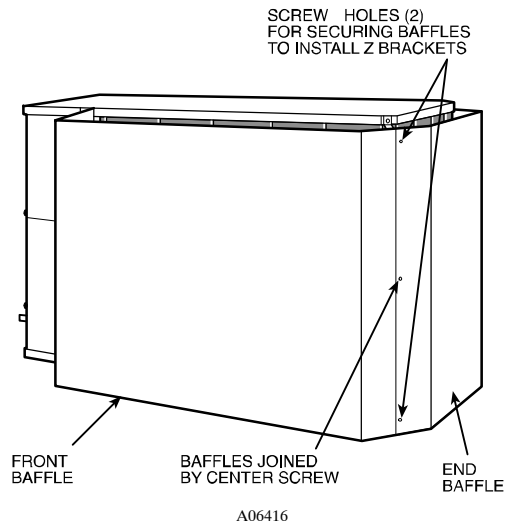


Fig. 2 – Installing End and Front Baffles